

The SC-610 is a compact, highly intelligible speaker suited to public address announcement applications. Its external speaker component finished with powder coating, and stainless steel bracket and screws ensure the unit's weatherproof capability.

---



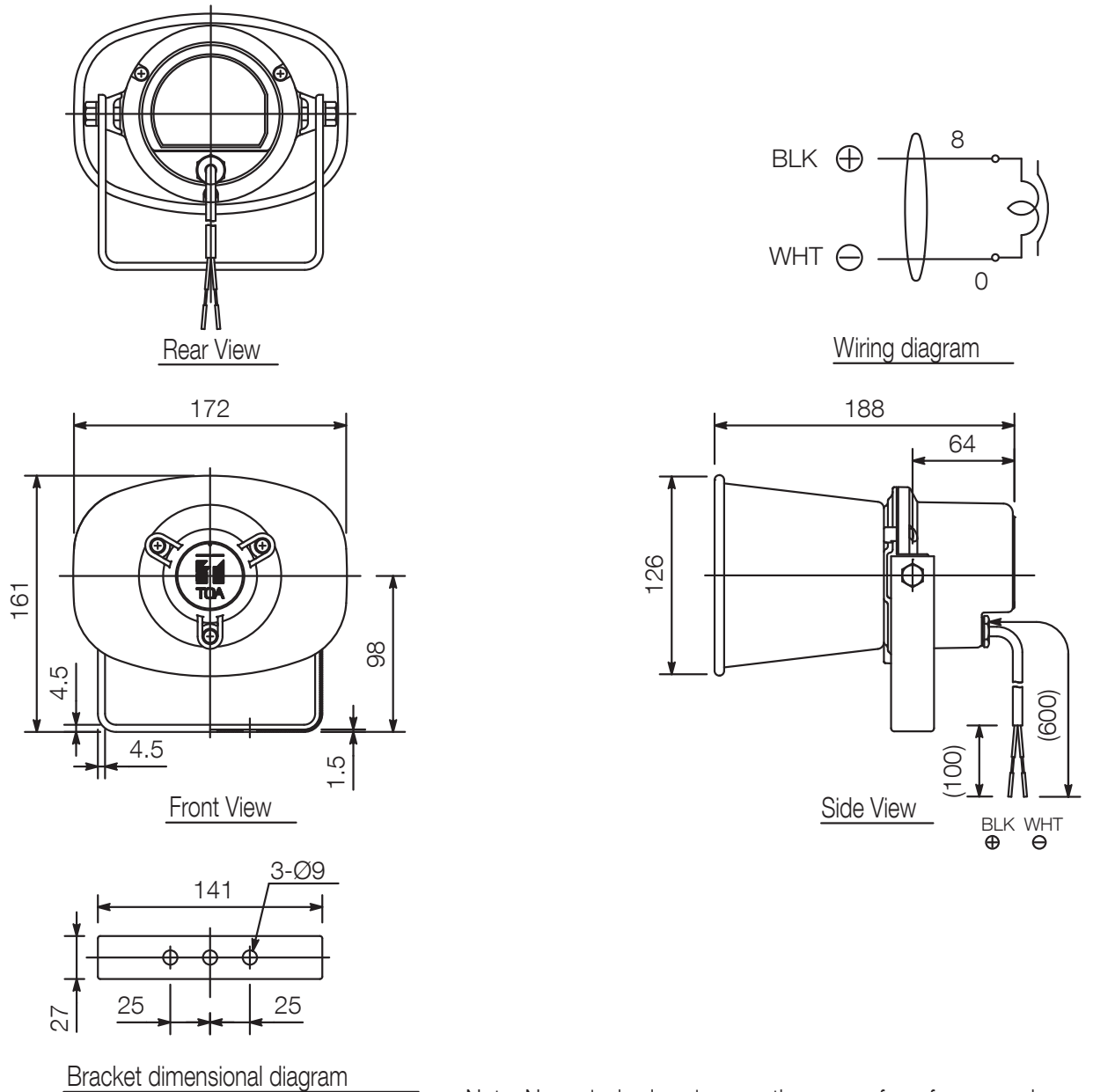
Article number: SC-610 EU  
Alternative products: SC-615, SC-630

---

## Specifications

Dimensions (W x H x D)	172 x 161 x 188 mm
Dimensions (ø x D)	x 188 mm
Finish	Aluminium, powder coating, off-white (RAL 9010 or equivalent),
Operating temperature	-20 °C to +55 °C (must be free from dew condensation)

Appearance



UNIT:mm

SCALE:1/5

Note: Numerical values in parentheses are for reference only.