

PC-2668

PANEL CONE SPEAKER

The PC-2668 speaker can be mounted (exposed installation) to the ceiling where flush mounting is impossible. It can be easily installed thanks to its spring catch method. Push-in connector allows quick wire connection, and speaker lines can be bridged by bridging terminals. The supplied bracket can be mounted to a flush-mount pull box.



Article number:PC-2668

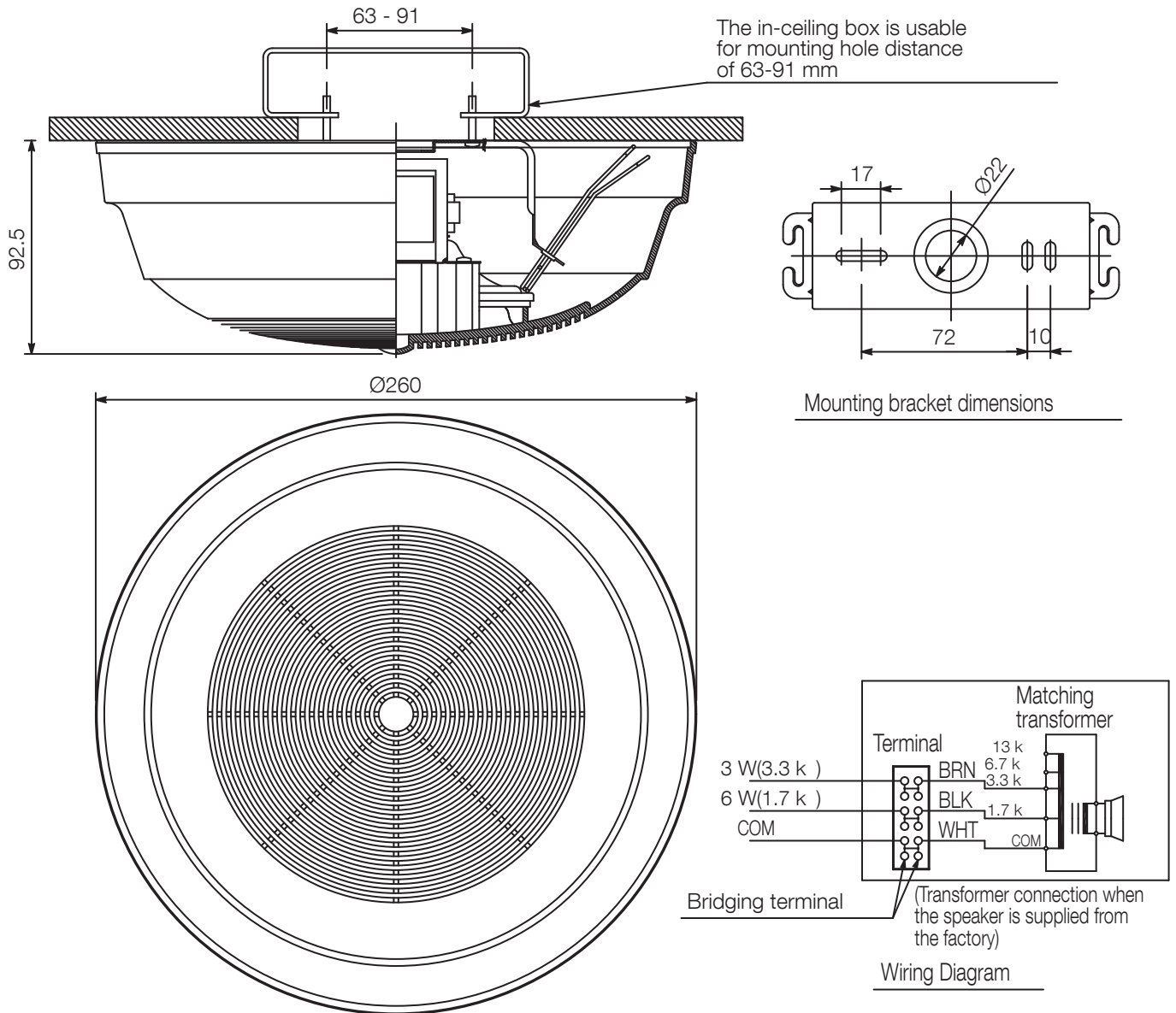
Specifications

Dimensions (W x H x D)	x 202
Dimensions (ø x D)	260 x 202 mm
Finish	ABS resin, off-white (RAL 9010 or equivalent),

PC-2668

PANEL CONE SPEAKER

Appearance



UNIT:mm

SCALE:1/3

[Note] Use transformer terminals when changing input impedance.