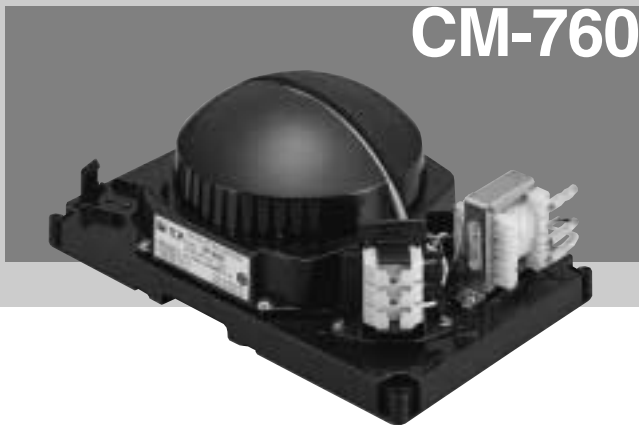


# SEPARATE TYPE CEILING SPEAKERS



## FEATURES

### ● Dynamic Cone Speaker Rated For 6W Input

Two models are available: the CM-760 with a 12cm diameter speaker, and the CM-960 with a 16cm speaker. Both use dynamic cone speakers rated at 6W input (also compatible with 3W applications).

### ● Connector For Bridge And Branch Wiring

Plug-in connectors permit quick wiring, facilitating speaker installations that require bridge and branch wiring.

### ● Coil Spring Catch System

Permits the speaker to be quickly and easily mounted by simply pressing the optional CP-series front grille into the CM-760 or CM-960.

### ● Hard Speaker Cover

This hard speaker cover protects the speaker from dust and impacts.

### ● Incombustibility Grade UL94V-0

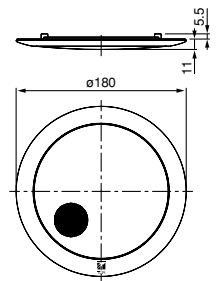
The speaker's high-impact styrene resin material corresponds to incombustibility grade UL94V-0, and maintains the speaker's self-extinguishing capabilities to ensure excellent flame-retardant characteristics.

### ● Optional Round Speaker Grille

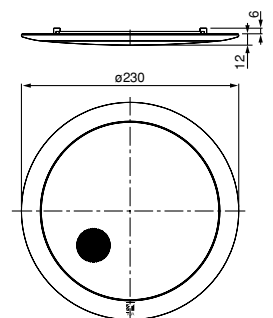
The CP-77 and the CP-97 speaker grilles are constructed of aluminum grilles attached to a metal frame, while the CP-73 and the CP-93 feature ABS resin frames. The CP-73 and CP-77 grilles are designed for the CM-760, and the CP-93 and CP-97 grilles are for the CM-960.



- Easily attaches to the CM-760 with a coil spring.
- ABS resin frame and aluminum grille (CP-73).
- Metal frame and aluminum grille (CP-77).
- Off-white.



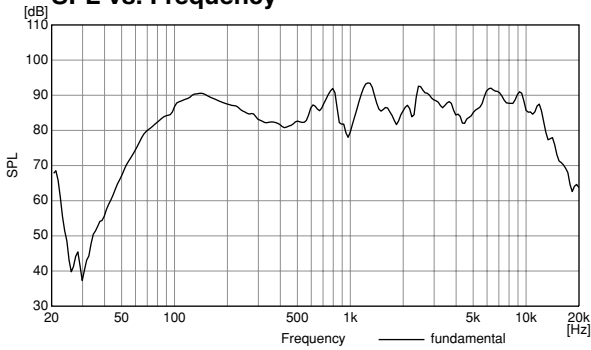
- Easily attaches to the CM-960 with a coil spring.
- ABS resin frame and aluminum grille (CP-93).
- Metal frame and aluminum grille (CP-97).
- Off-white.



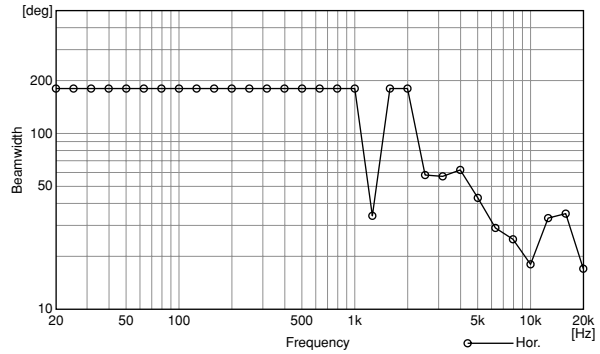
# CM-760

## CHARACTERISTIC DIAGRAMS

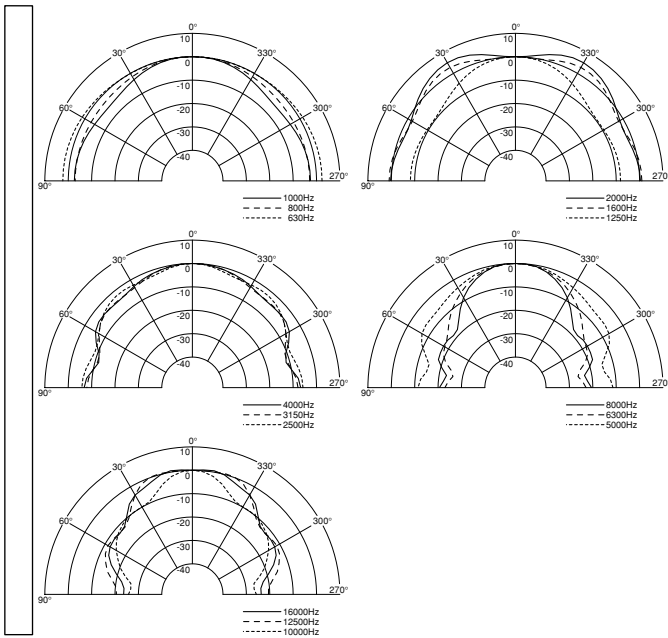
**SPL vs. Frequency**



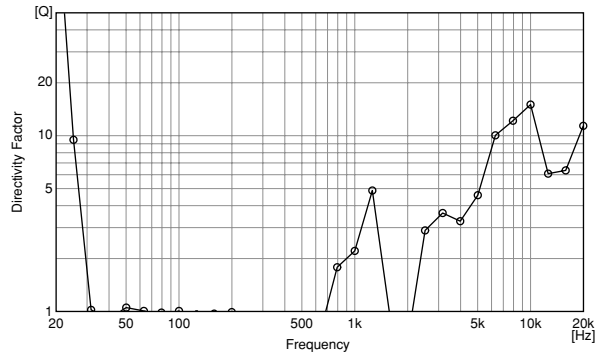
**Beamwidth vs. Frequency**



**Polar Response**



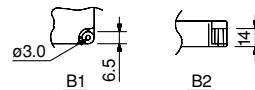
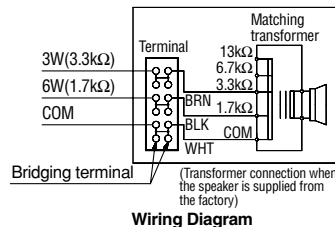
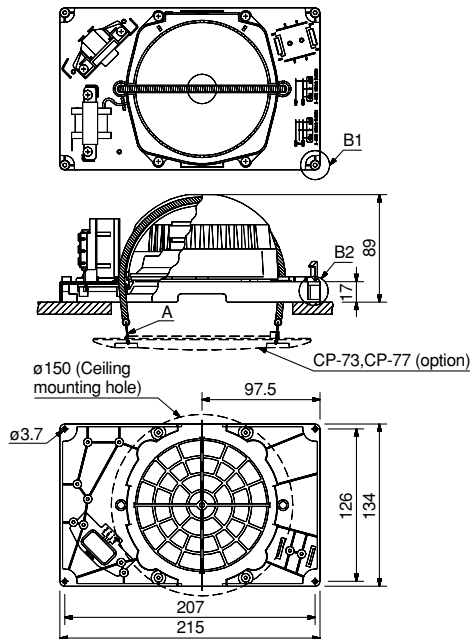
**Directivity Factor vs. Frequency**



## APPEARANCE AND DIMENSIONAL DIAGRAM

CM-760

Magnified diagram of part A



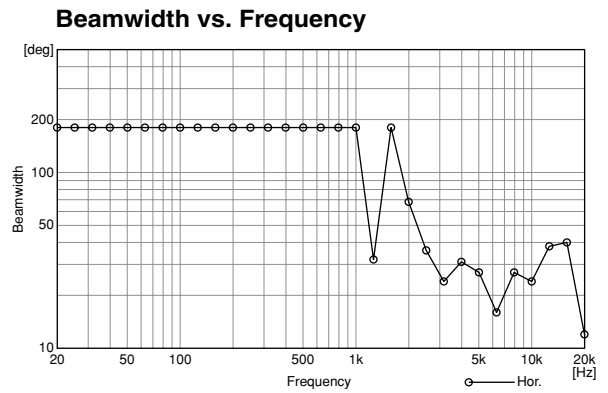
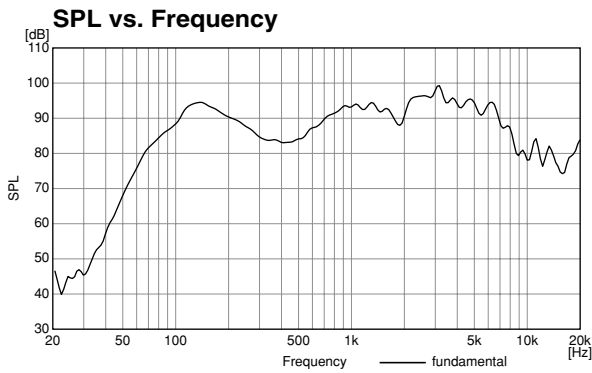
Magnified figure

Unit: mm

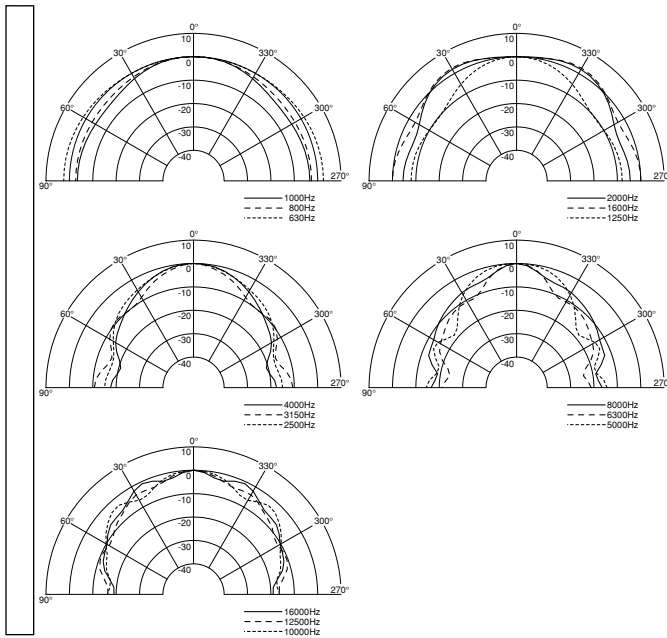
Note: Use transformer terminals when changing input impedance.

# CM-960

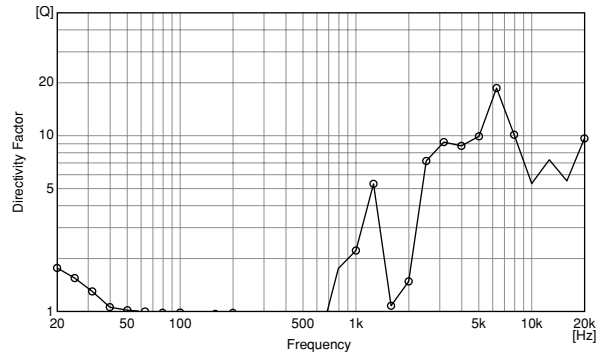
## CHARACTERISTIC DIAGRAMS



### Polar Response



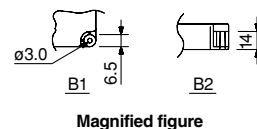
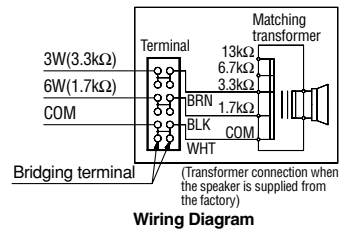
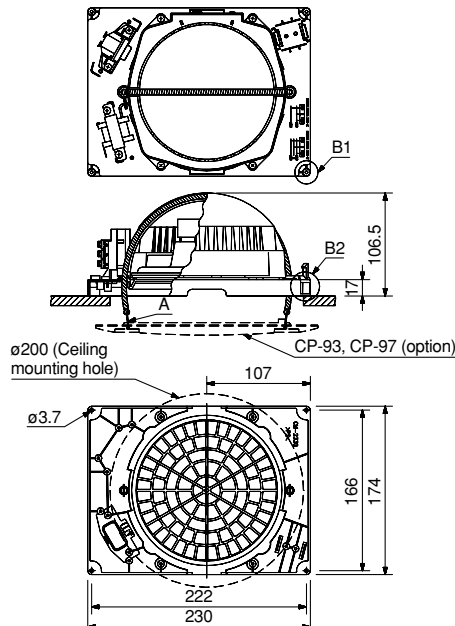
### Directivity Factor vs. Frequency



## APPEARANCE AND DIMENSIONAL DIAGRAM

CM-960

Magnified diagram of part A



Unit: mm

Note: Use transformer terminals when changing input impedance.

## SPECIFICATIONS

	CM-760	CM-960
Rated Input	6W	
Rated Impedance	1.7kΩ (6W), 3.3kΩ (3W), [6.7kΩ (1.5W), 13kΩ (0.8W): Internal wiring must be changed]	
Sensitivity	90dB (1W/1m)	92dB (1W/1m)
Frequency Response	100 – 16,000Hz	100 – 12,000Hz
Speaker Component	12cm dynamic cone-type speaker	16cm dynamic cone-type speaker
Dimensions for Fixing Hole	ø150 (mounting hole) x 50 (ceiling thickness) mm	ø200 (mounting hole) x 50 (ceiling thickness) mm
Speaker Mounting Method	Spring catch	
Applicable Cables	600V Vinyl-insulated cable (IV wire or HIV wire) Solid copper wire: ø0.8 – ø1.2mm 7-core twisted copper wire: 0.75 – 1.25mm <sup>2</sup>	
Connection	Push-in connector (Bridging and branch connections possible.)	
Finish	Grille: Fire-resistant, high-impact styrene resin (resin material grade: UL94 V-0 or its equivalent), black	
Dimensions	215 (W) x 134 (H) x 89 (D) mm	230 (W) x 174 (H) x 106.5 (D) mm
Weight	630g	850g
Optional Applicable Panels	CP-73 and CP-77	CP-93 and CP-97

Note: Do not the speaker with heat insulating material sound absorbing material mounted.  
Ensure that the speaker is kept away from the heat insulating material.

	CP-73	CP-77	CP-93	CP-97	
Speaker Mounting Method	Spring catch				
Finish	Frame: Net:	ABS resin, off-white Aluminum, off white, paint	Metal, off-white Aluminum, off white, paint	ABS resin, off-white Aluminum, off white, paint	Metal, off-white Aluminum, off white, paint
Dimensions	ø180 x 11 (D) (exposed section) mm		ø230 x 12 (D) (exposed section) mm		
Weight	70g		100g		
Applicable Speaker	CM-760		CM-960		