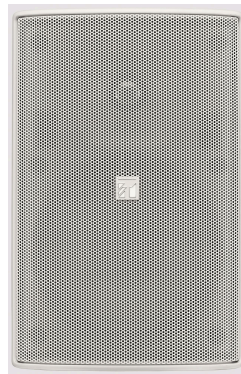


# F-1300W

SPEAKER SYSTEM

The F-1300 Series Speaker are compact two-way speaker systems designed for high efficiency, wide range, and high power input handling capability. These speaker systems can be installed in a manner ideal for the location and intended application.



Article number: F-1300W  
 Alternative products: F-1300B, F-1300BT,  
 F-1300BTWP, F-1300W, F-1300WT,  
 F-1300WTWP

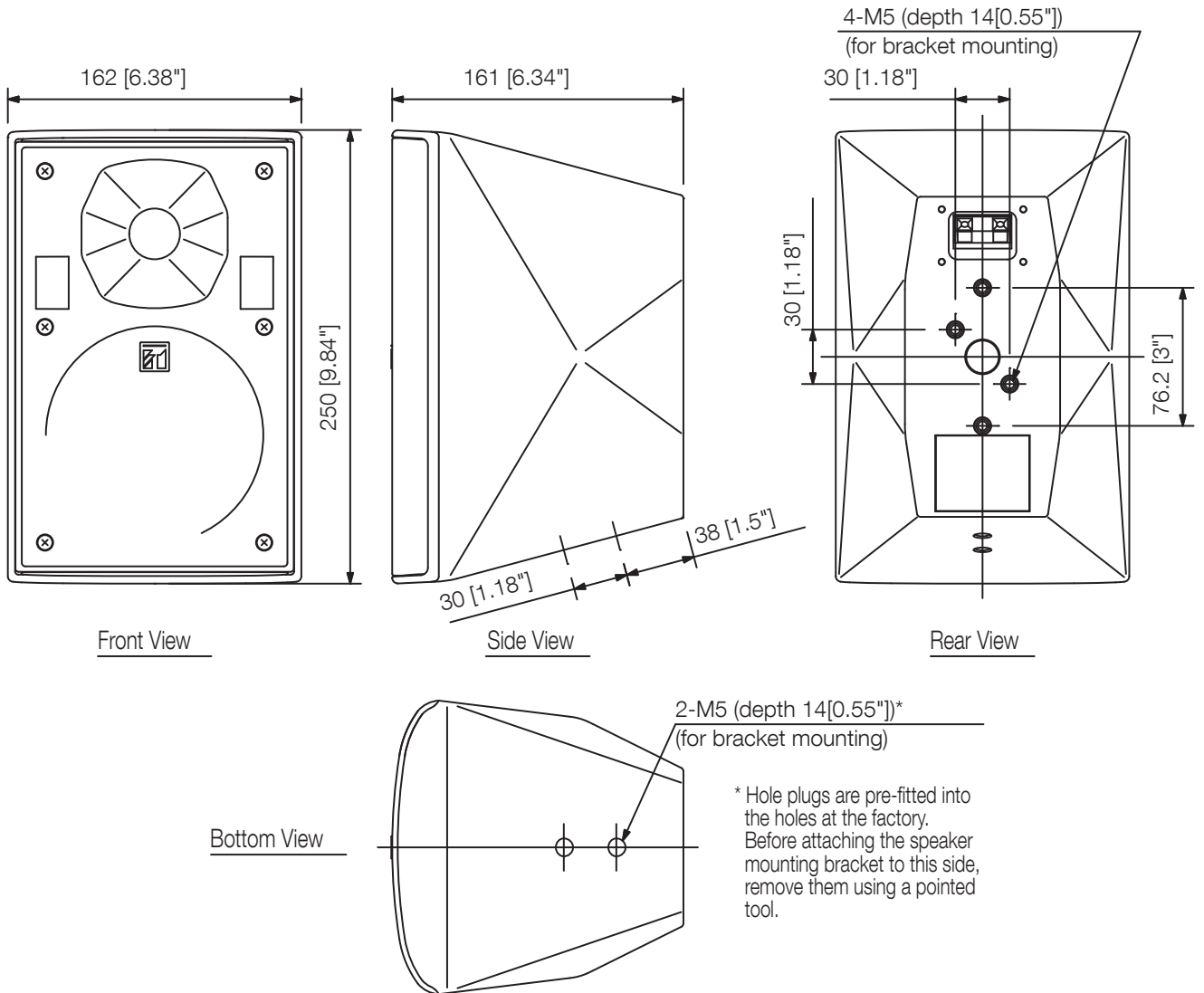
### Specifications

Dimensions (W x H x D)	162 x 250 x 161 mm
Dimensions (ø x D)	x 161 mm
Finish	HIPS resin, off-white (RAL 9010 or equivalent),

# F-1300W

SPEAKER SYSTEM

Appearance



UNIT:mm SCALE:1/4